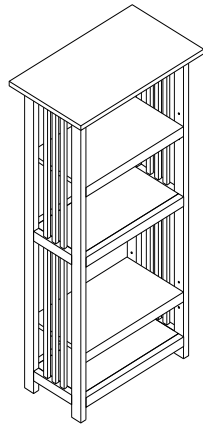


Mission Bookcase



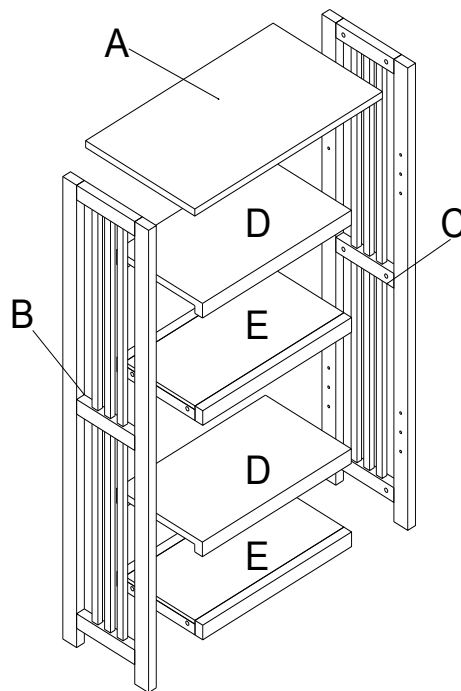
Thank you for purchasing our Mission Bookcase. **We have found it helpful to have a second person present in at least one step of the assembly.**

Mission Bookcase Assembly Instructions

Lay out all parts on a "non-abrasive" surface to avoid scratching furniture.

NO.	DRAWING	DESCRIPTION	QTY.
A		TOP	1
B		END PANEL-L	1
C		END PANEL-R	1
D		SHELF	2
E		FIXED SHELF & BOTTOM PANEL	2

NO.	DRAWING	DESCRIPTION	QTY.
F		M6*30mm BOLT	12
G		SHELF CLIP	8
H		HEX WRENCH	1
I		ANTI-TIP	1



PARTS

Step 1

Read through these instructions thoroughly before beginning assembly. We have found this to be of great value when first assembling this product.

Step 2

Remove all parts and hardware from packing material. Wooden pieces should be placed on a non-abrasive surface (like the carton or carpet) to prevent damage to the finish.

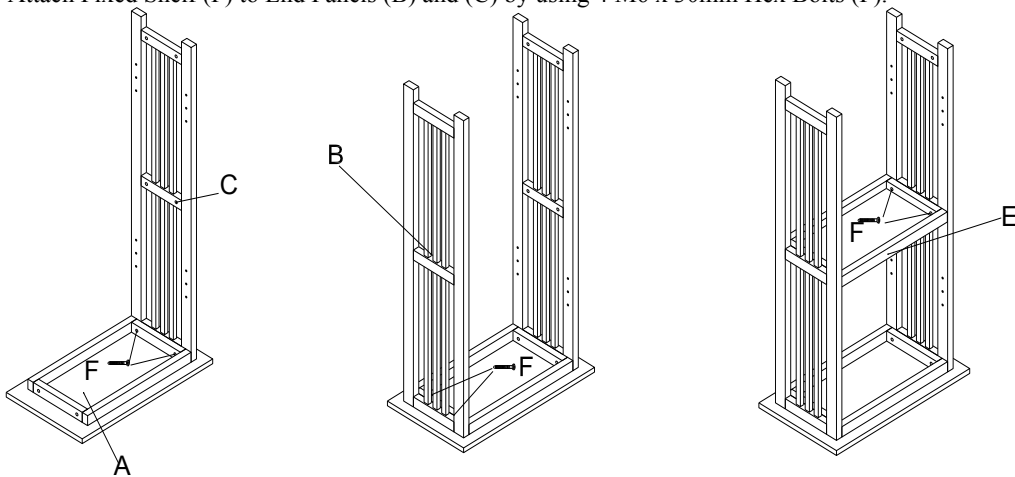
Step 3, 4 and 5

Lay Top (A) upside down and attach Right End Panel (C) by using 2 M6 x 30mm Hex Bolts (F).

Note: It will help to have a second person at this time to assist in assembly.

Attach Left End Panel (B) to Top (A) by using 2 M6 x 30mm Hex Bolts (F).

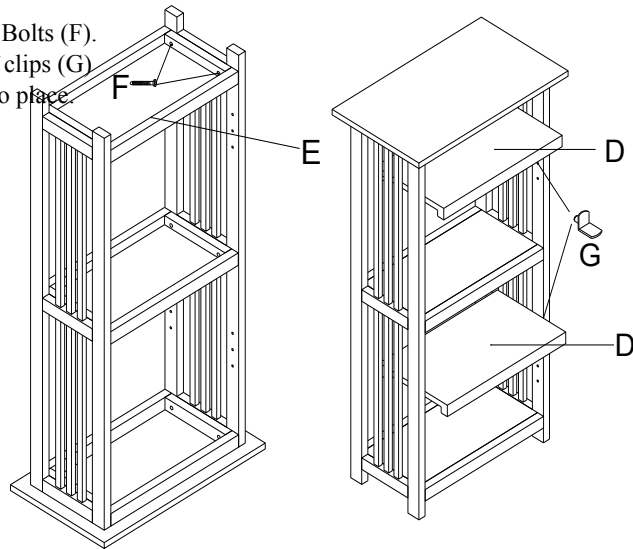
Attach Fixed Shelf (F) to End Panels (B) and (C) by using 4 M6 x 30mm Hex Bolts (F).



Step 6 and 7

Attach Bottom (E) using 4 6M x 30mm Hex Bolts (F).

Turn Bookcase right-side up and put in shelf clips (G) into place and set Adjustable Shelves (D) into place.



CARE

Clean with mild soap and wipe dry.

REPLACEMENT PARTS:

For best service, to order replacement parts go to www.alaterrefurniture.com. Use the order form on the web site to order your replacement parts. **Thank You!**